

# Champ Pro PFMA high lumen LED floodlights

UL/cUL Listed  
IEC/CE  
Type 4X; IP66

5L

## The Champ Pro PFMA LED family

**39% lighter than the previous design with a small footprint**

Champ® Pro PFMA high lumen LED floodlights are designed to provide full-spectrum, crisp, white light. Four versions of the PFMA are available, providing ideal solutions for a wide range of applications.

Model	Nominal lumens	Watts <sup>A</sup>	Equivalent MH luminaire	Typical energy savings / lifetime
PFMA20L	20,500	177	600W-750W	Up to 78% reduction in energy costs and 120,000 hours of continuous operation
PFMA25L	25,500	217	750W-1000W	
PFMA40L	40,500	340	1500W+	
PFMA50L	50,500	400		

### Applications:

- Locations requiring continuous and consistent light levels in extreme ambient temperatures
- Areas requiring frequent on-and-off of lights
- Where extremely corrosive, wet, dusty, hot and/or cold conditions exist
- Manufacturing plants, heavy industrial, chemical, food and beverage facilities, mining, platforms, loading docks, tunnels, outdoor wall and pole mounted areas

### Features:

- Rugged design – engineered to perform in ambient temperatures from -40°C to 55°C
- High efficiency – engineered to deliver 117 lumens per watt
- Full frame yoke – designed to utilize the SFA6 slipfitter and SWB6 wall mount bracket, making it ideal for retrofit or new installations<sup>B</sup>
- Custom optics – standard 7x6 pattern provides maximum light distribution
- 5 year fixture warranty



PFMA20L/PFMA25L

PFMA40L/PFMA50L

### Certifications and compliances:

**NEC model:**

**NEC/CEC:**

- Type 4X, IP66

**UL standards:**

- UL1598; UL1598A; cUL

**IEC/CE model:**

**IEC:**

- IEC 60598-1 and IEC 60598-2-1
- Wet locations
- IP66
- CE marked

### Standard materials:

- Lamp housing and adapter – die cast aluminum with Corro-free epoxy powder coat
- Lens – heat- and impact-resistant glass (standard)
- Gaskets – silicone and neoprene
- External hardware – stainless steel

### Fixture life:

- Rated life of 60,000 hours at 55°C operating ambient and 24/7 continuous operation for 365 days

### Photometrics:

- Refer to [www.eaton.com](http://www.eaton.com) (under the Resources tab of each product family) for specific photometric IES files

### Electrical ratings – NEC model:

Model	120-277 VAC at 50/60 Hz		347-480 VAC at 50/60 Hz	
	Input power	Input amps	Input power	Input amps
PFMA20L	177W	1.76A	177W	0.52A
PFMA25L	217W	2.18A	216W	0.63A
PFMA40L	340W	3.35A	338W	1.24A
PFMA50L	400W	4.14A	400W	1.54A

**All models (UNV1 only)**

Voltage range, VDC 127-300V at 50/60 Hz

**All models**

Power factor >0.90

### Electrical ratings – IEC model:

Model	120-277 VAC at 50/60 Hz		347-440 VAC at 50/60 Hz	
	Input power	Input amps	Input power	Input amps
nPFMA20L	177W	1.76A	177W	0.52A
nPFMA25L	217W	2.18A	216W	0.63A
nPFMA40L	340W	3.35A	338W	1.24A
nPFMA50L	400W	4.14A	400W	1.54A

**All models (UNV1 only)**

Voltage range, VDC 127-300V at 50/60 Hz

**All models**

Power factor >0.90

<sup>A</sup> UNV1 at 120 VAC.

<sup>B</sup> SFA6 slipfitter and SWB6 wall mount bracket sold separately (20L/25L models only).

# Champ Pro PFMA high lumen LED floodlights

UL/cUL Listed  
IEC/CE  
Type 4X; IP66

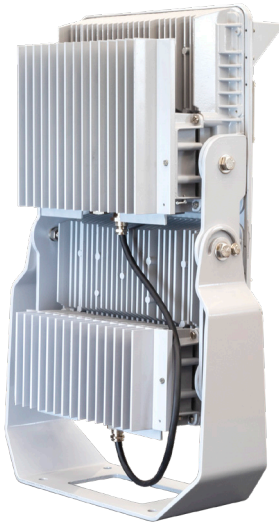
5L



## Smaller and lighter

- 25% smaller footprint than previous model
- 20 lbs. less weight than previous model

5L



## Full frame yoke

- Designed to utilize the SFA6 slipfitter and SWB6 wall mount bracket, making it ideal for retrofit or new installation (for 20L and 25L models)

## Rugged heat sink

- Heat sink designed to perform and provide maximum light levels in high ambient temperatures up to +55°C and as low as -40°C
- Thick walled castings make for a tough, rugged housing that keeps the internal driver and LED temperature down



## Versatile design

- Can be used for outdoor or indoor applications, and for a wide range of mounting heights depending on model and light level requirement

## High lumen output

- Up to 120 lumens per watt
- Up to 78% energy savings over traditional HID fixtures (compared to 400W MH)

## Multiple lens options

- Tempered clear glass lens standard
- Diffused glass lens optional



# Champ Pro PFMA high lumen LED floodlights

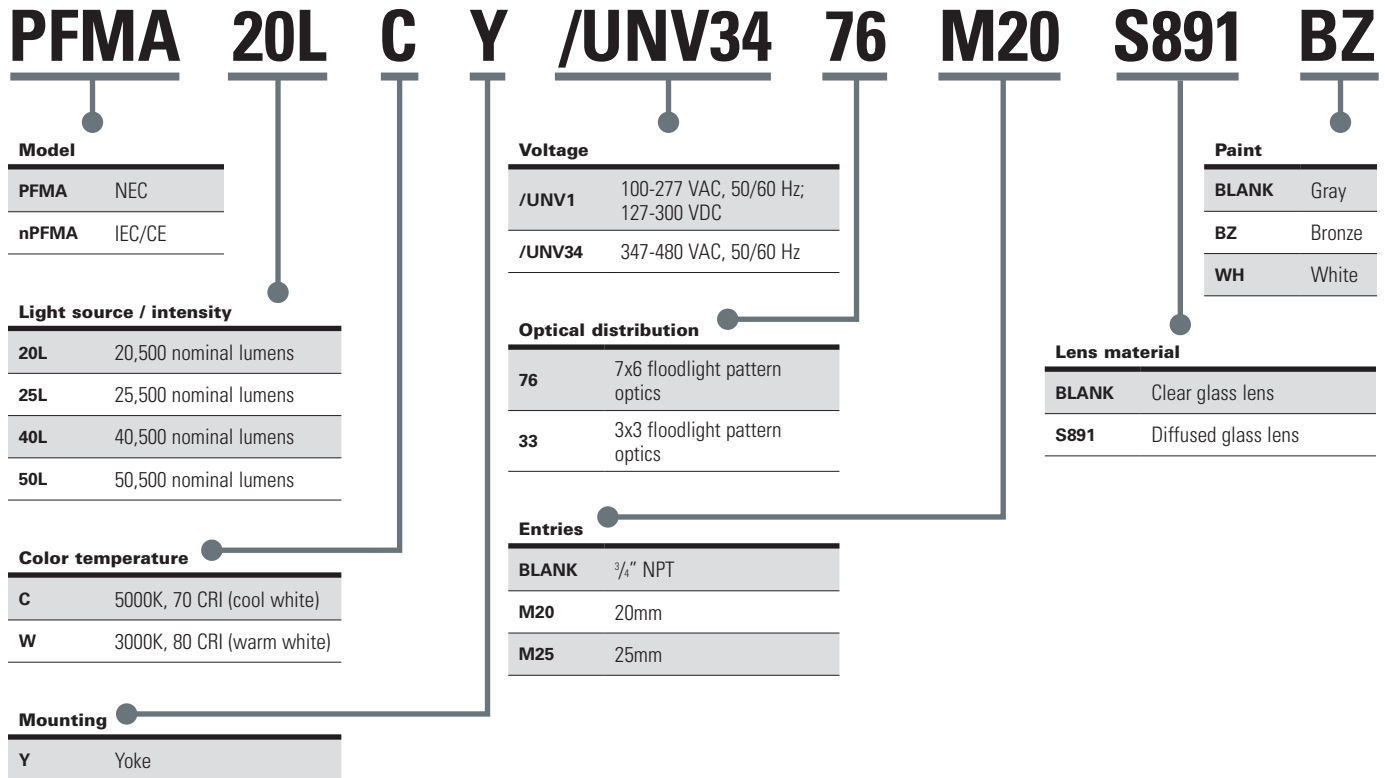
UL/cUL Listed  
IEC/CE  
Type 4X; IP66

5L

## Ordering information:

Part number example

PFMA20LCY/UNV34 76 M20 S891 BZ



## Accessories (ordered separately):

Description	Cat. #	Description	Cat. #
• Bull horn, 2 tenon, gray .....	BLHN2	• Bolt-on visor.....	DSV2
• Bull horn, 2 tenon, bronze .....	BLHN-BZ2	• Bolt-on wire guard .....	P62
• Bull horn, 2 tenon, white .....	BLHN-WH2	• Safety cable .....	SC831
• Bull horn, 3 tenon, gray .....	BLHN3	• Slipfitter .....	SFA6Ⓞ
• Bull horn, 3 tenon, bronze .....	BLHN-BZ3	• Slipfitter wall mount adapter .....	SWB6Ⓞ
• Bull horn, 3 tenon, white .....	BLHN-WH3		

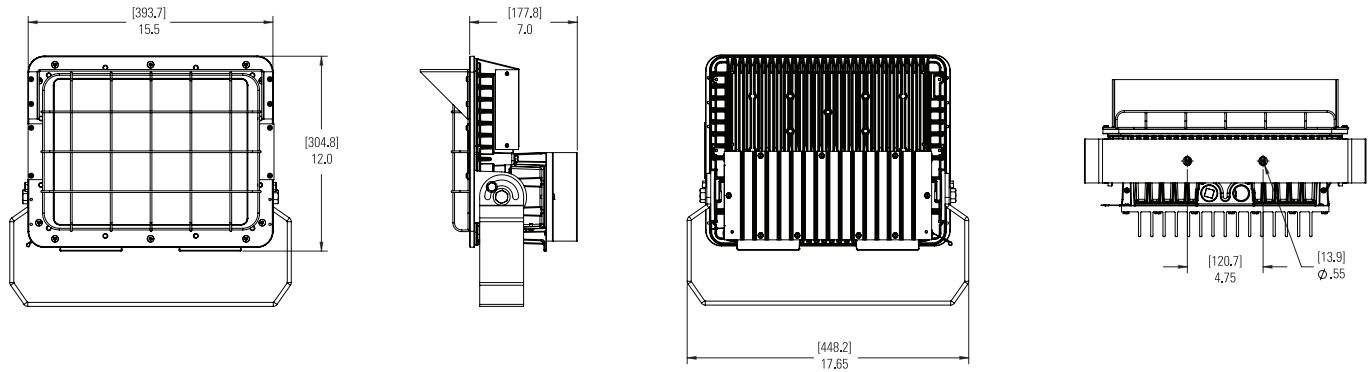
Ⓞ20L and 25L models only.

# Champ Pro PFMA high lumen LED floodlights

UL/cUL Listed  
IEC/CE  
Type 4X; IP66

5L

## Dimensions and weights – PFMA20L/PFMA25L:



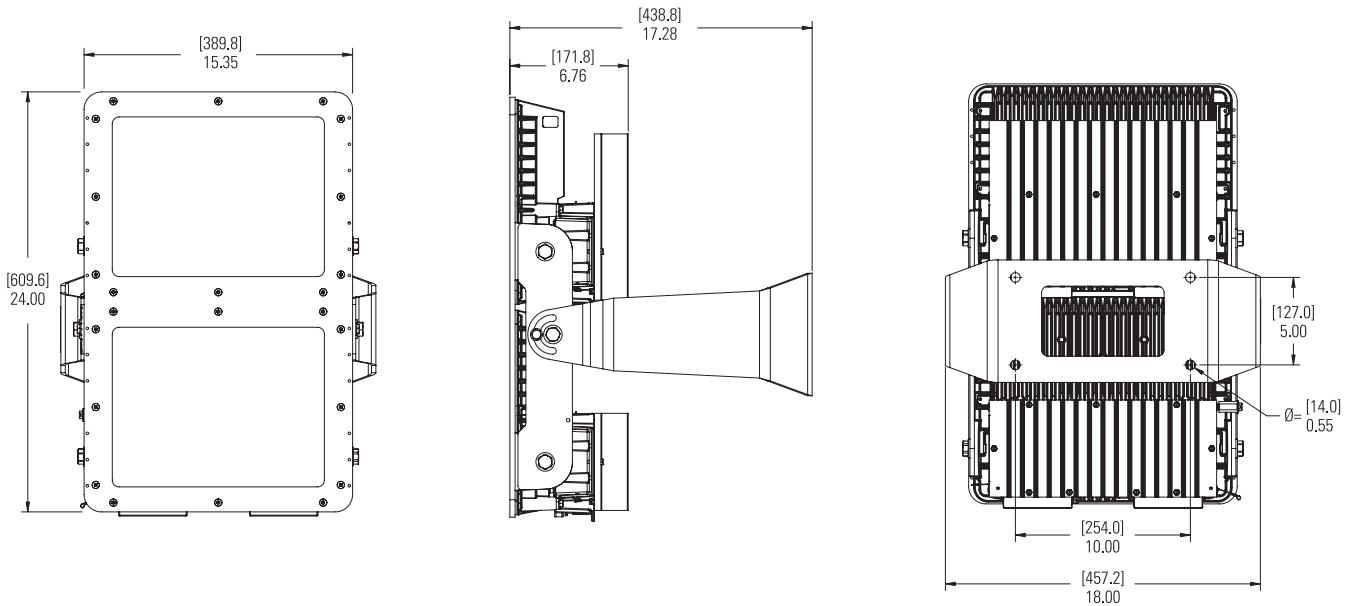
Model	Width		Height		Depth		Weight	
	in.	mm.	in.	mm.	in.	mm.	lb.	kg.
PFMA20L & 25L	15.50	393.70	12.00	304.80	7.00	177.80	34.00	15.40

## Effective projected area

Position (tilt)	ft.-sq.
at 0°	1.50
at 45° backwards	1.10
at 60° forward	0.80

5L

## Dimensions – PFMA40L/PFMA50L:



Model	Width		Height		Depth		Weight	
	in.	mm.	in.	mm.	in.	mm.	lb.	kg.
PFMA40L & 50L	18.00	457.20	24.00	609.60	17.28	438.80	77.00	34.90

## Effective projected area

Position (tilt)	ft.-sq.
at 0°	3.20
at 45° backwards	3.25
at 60° forward	3.62